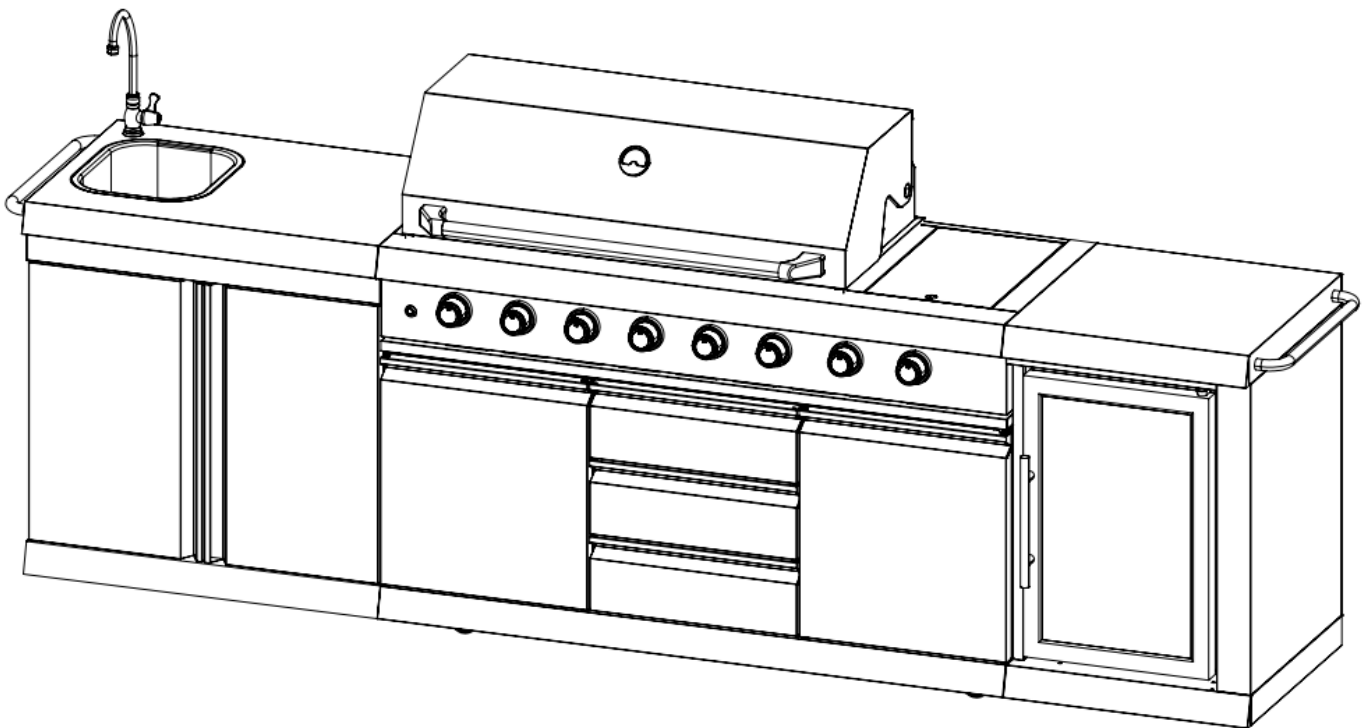


M**NSTER** G R I L L

OWNER'S MANUAL



**BBQ KITCHEN WITH SINK AND STORAGE
MGKITSS6FR**

USE OUTDOORS ONLY

PLEASE READ INSTRUCTIONS CAREFULLY BEFORE ASSEMBLY

RETAIN THIS MANUAL FOR FUTURE REFERENCE

CONTENTS

Important Safety Information	3
General Information for Successful Assembly	3
Product Diagram	4
Parts list	4
Assembly Instructions	5
Connecting the Gas Cylinder	7
Gas Supply Information	7
Connecting the Gas Bottle to the Appliance	9
Checking for leaks	9
Lighting Instructions	10
Main Burner	10
Safely using your BBQ	11
Flare-up Control	11
Fat Fires	11
Cleaning and Care	12
Outside Surface	12
Interior of the BBQ	12
Cooking Grid	12
Cleaning the Burners	12
Storage of the Appliance	12
Technical Information	13
Troubleshooting	13
Manufacturer Support	14

IMPORTANT SAFETY INFORMATION

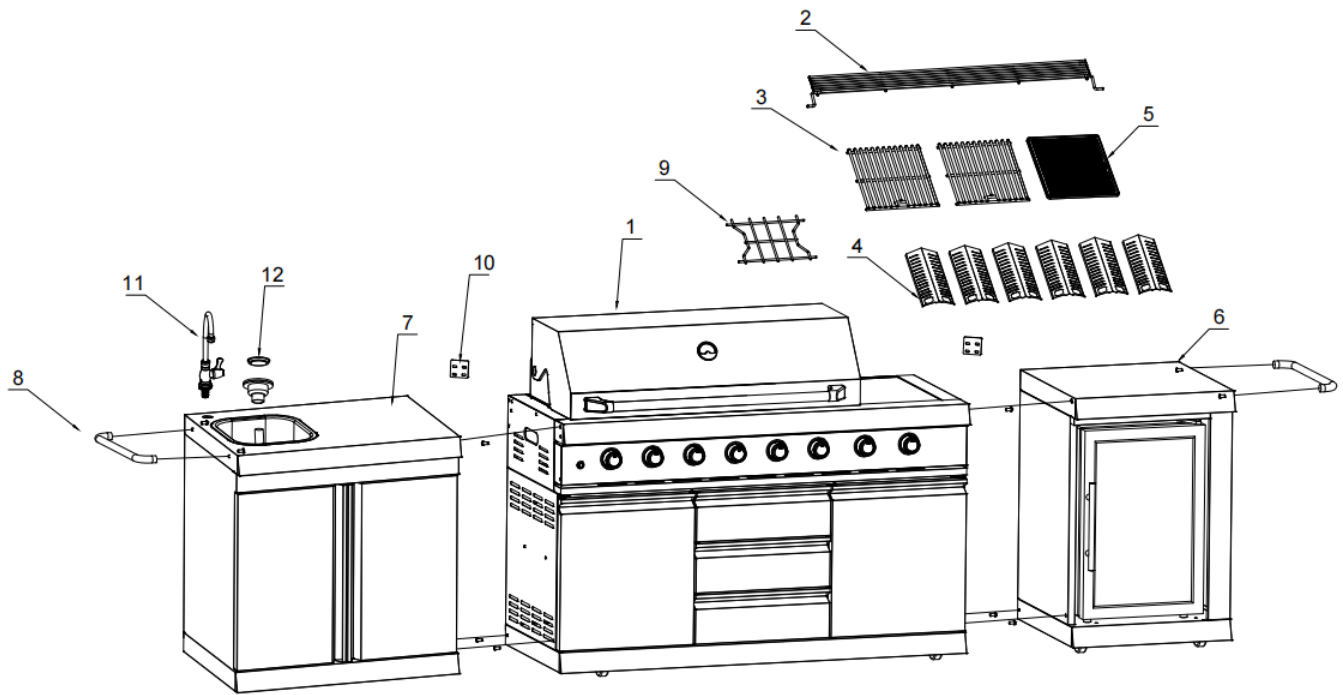
Please read this user manual before using this BBQ and keep it safe for future reference.

- Read the following instructions carefully and be sure your BBQ is properly installed, assembled and cared for. Retain the instructions for future reference.
- Failure to follow these instructions may result in serious bodily injury and/or property damage.
- **WARNING - Risk of Suffocation!** BBQ's must be used outdoors and must not use in enclosed areas such as sheds or marquees!
- Read the instruction manual before using the appliance.
- **WARNING:** Accessible parts may be very hot. Keep young children away.
- Wear heat proof gloves whilst operating the appliance.
- This appliance must be kept away from flammable materials during use.
- Do not move the appliance during use.
- Turn off the gas supply at the gas cylinder after use.
- Do not modify this appliance.
- If you have any questions concerning assembly or operation, consult the retailer or Bottled Gas Company.
- Always place the appliance and cylinder on flat level ground.
- Never light the appliance with the hood in the closed position.
- Your BBQ can be used with gas cylinders between 5 kg and 15 kg. The maximum size is 320mm (Diameter) x 600mm (Height). Your BBQ will perform better if propane or LPG mixtures are used. Butane can be used but because of the power of this appliance the cylinder may tend to freeze and supply gas at reduced pressures affecting the performance of your BBQ.
- Use a suitable regulator that is certified to BS EN 12864 or EN 16129.
- When positioning the BBQ the following clearances must be obeyed:
 - Sides and rear of appliance: 1 METRE FROM ANY OBSTRUCTION.
 - Above the appliance: NO OVERHEAD OBSTRUCTION ARE PERMITTED.
- Please turn off the gas cylinder if gas leak is suspected.
- Parts sealed by the manufacturer must not be altered by the user. No modifications should be made to any part of this BBQ and repairs and maintenance should only be carried out by a registered Gas Safe service engineer.
- Do not use the barbeque in confined and/or habitable space e.g. houses, tents, caravans, motor homes, boats. Danger of carbon monoxide poisoning fatality.
- **WARNING!** This barbeque will become very hot, do not move it during operation.
- **WARNING!** Do not use spirit or petrol for lighting or re-lighting! Use only firelighters complying to EN 1860-3.
- **WARNING!** Keep children and pets away.
- Surfaces that come into contact with food, and accessible drainage systems should be cleaned regularly.

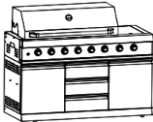
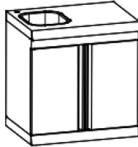


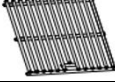

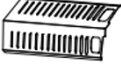






GENERAL INFORMATION FOR SUCCESSFUL ASSEMBLY

Please read the assembly instructions carefully and follow the safety precautions. Allow sufficient time for assembly. Before starting assembly, clear an area measuring approximately two to three square metres. Remove the item from the packaging and lay out all of the parts and any necessary tools so that they are within easy reach. Only tighten all of the screw connections firmly when you have finished assembly or are instructed to within the manual. Otherwise this can result in unwanted tension and instability.

PRODUCT DIAGRAM



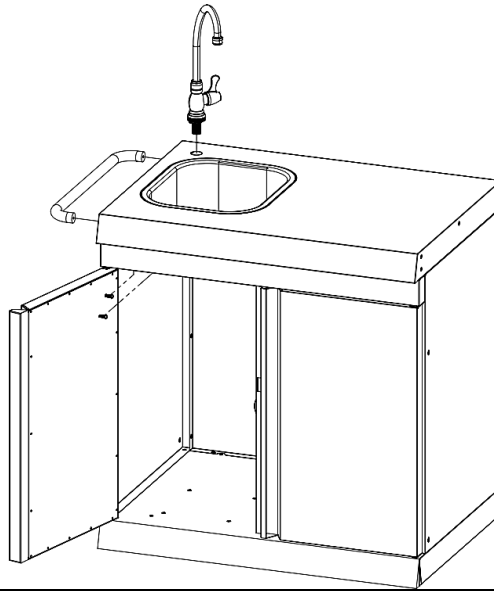
PARTS LIST

No.	PART	QTY	No.	PART	QTY
1		1	7		1
2		1	8		2
3		2	9		1
4		6	10		2
5		1	11		1
6		1	12		1
			M6*16 Bolt M6*10 Bolt		4 16

ASSEMBLY INSTRUCTIONS

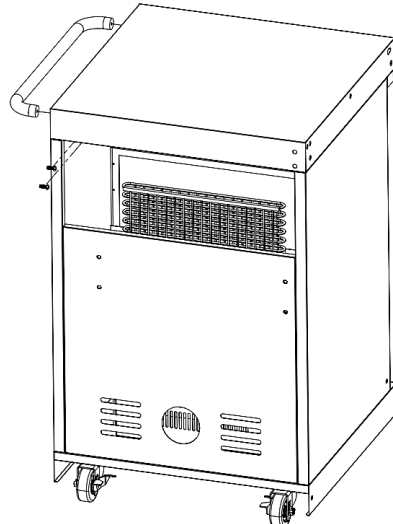
1

Install the side handle and tap using 2 x M6x16 bolts. The tap can be connected to a hose pipe adaptor. Insert the drainage tube (12) into the sink hole.



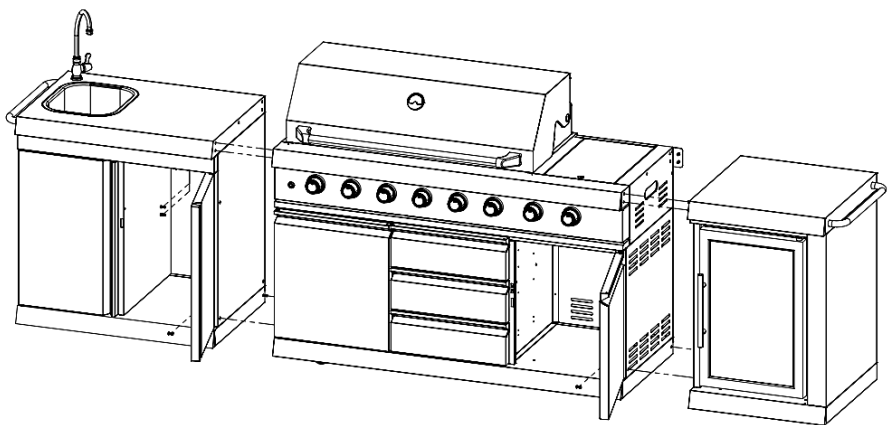
2

Install the side handle of the fridge using 2 x M6x16 bolts.



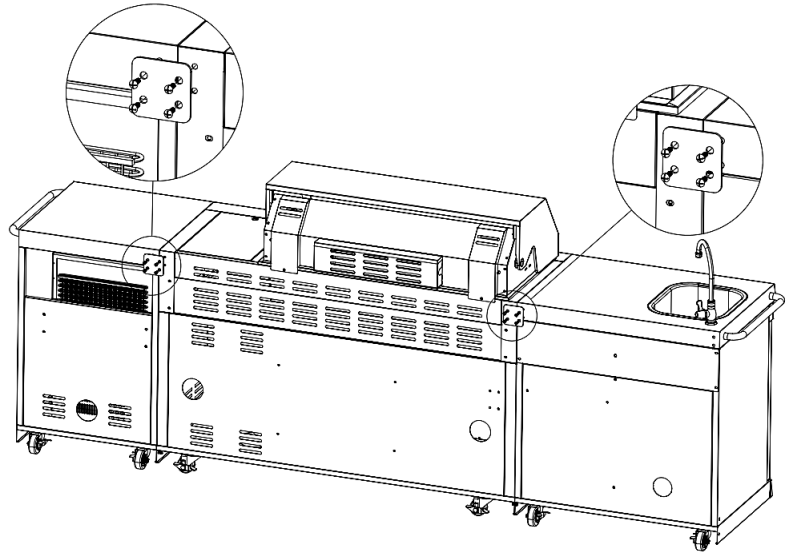
3

Connect the right unit and left unit of the BBQ using 8 x M6x16 bolts.



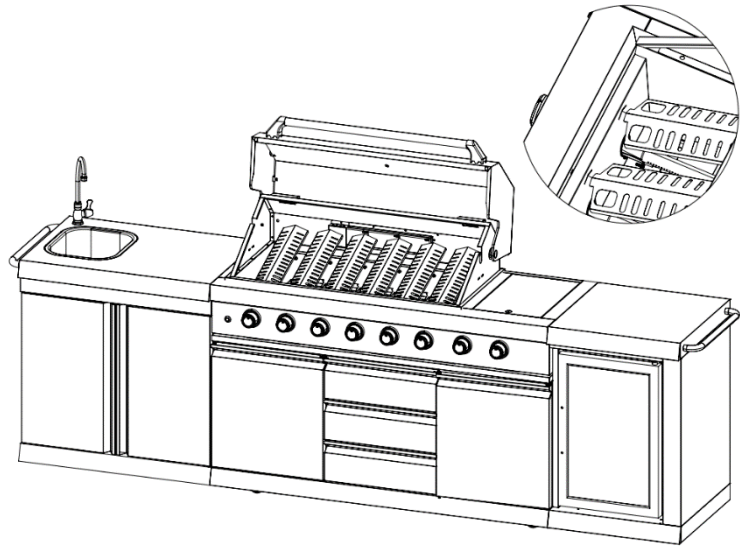
4

Using the two the back panels (10) secure each side of the unit using 8 x M6x16 bolts.



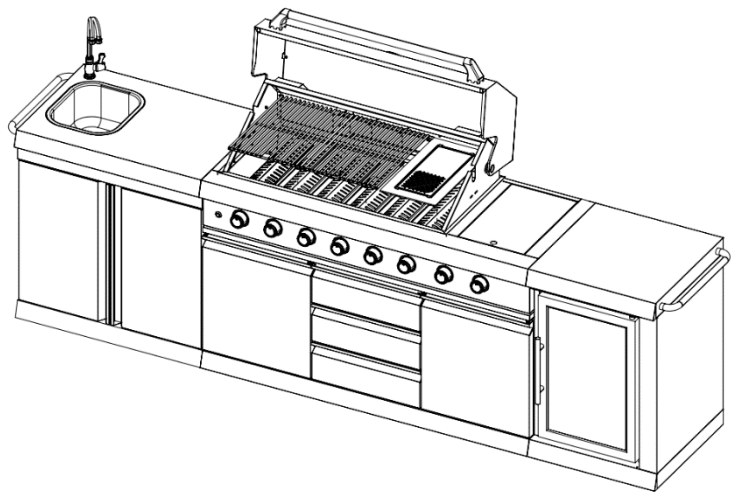
4

Attach the flame tamer to the unit as shown.



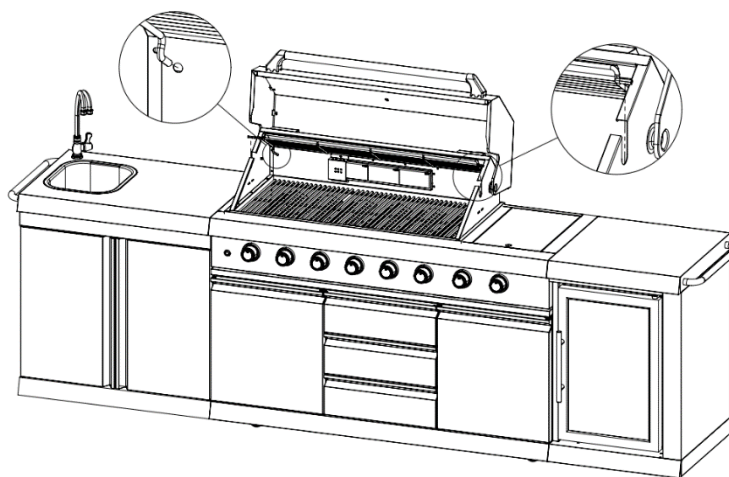
5

Gently insert the cooking grid and cooking plate.



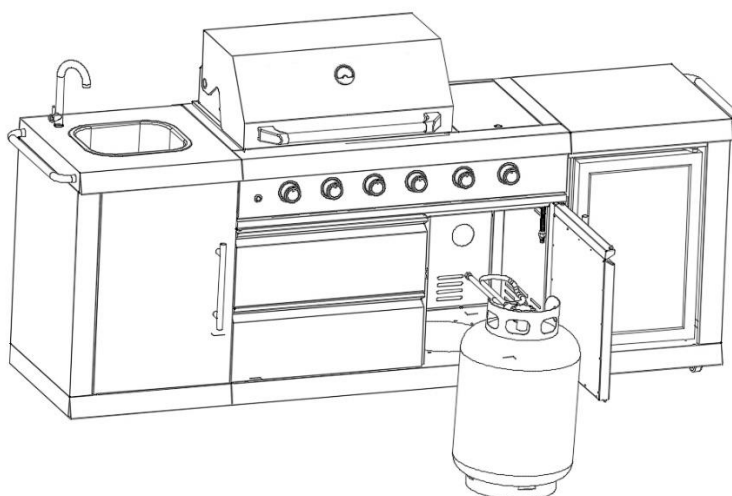
6

Put the warming rack onto the unit.



7

Finally connect the gas bottle and your BBQ will be ready to use. For fridge installation and use, please see the fridge user manual insert.



CONNECTING THE GAS CYLINDER

GAS SUPPLY information

This appliance is only suitable for use with low pressure Butane, Propane, or LPG mixtures, fitted with the appropriate low-pressure regulator via a flexible hose. The hose should be secured to the regulator and the appliance with hose clips. This BBQ is set to operate with a 28 mbar regulator when used with Butane gas, a 37 mbar regulator when used with Propane gas, and 30 or 50 mbar for LPG mixtures. Please consult your local bottled gas dealer for information regarding a suitable regulator for the gas cylinder, and BBQ.

REGULATOR AND HOSE

- This BBQ is provided with a 27mm clip on 37 mbar regulator, suitable for Calor Patio gas, Flogas Leisure gas, BP Gaslight and similar.
- Replacement regulators are available from your equipment retailer or an authorised bottled gas stockist. Use only regulators and hoses approved for bottled gas at the above pressures. The life expectancy of the regulator is estimated as 10 years. It is recommended that the regulator should be changed within 10 years of the date of manufacture.
- The use of the wrong regulator or hose is dangerous, always check that you have the correct items before operating the BBQ.
- The hose used must conform to the relevant standards for the country of use. The length of the hose must be a maximum of 1.5 metres. Worn or damaged hoses must be replaced.
- Ensure that the hose is not obstructed, kinked or in contact with any part of the BBQ other than at its connection.

GAS CYLINDER

- The gas cylinder should not be dropped or handled roughly. If the appliance is not in use, the cylinder must be disconnected. Replace the protective cap on the cylinder after disconnecting the cylinder from the appliance.
- Cylinders must be stored outdoors in an upright position and out of the reach of children. The cylinder must never be stored where temperatures can reach over 50° C. Do not store the cylinder near flames, pilot lights or other sources of ignition. **DO NOT SMOKE NEAR THE CYLINDER(S).**
- This BBQ is designed for use outdoors only, away from any flammable materials. It is important that there are **no overhead obstructions** and that there is a minimum distance of 1m from the side and rear of the appliance. It is important that the ventilation openings of the appliance are not obstructed. The BBQ must be used on a level, stable surface.
- The appliance should be protected from direct draughts and should be positioned or protected against direct penetration by any trickling water (e.g. rain).

Parts sealed by the manufacturer must not be altered by the user. No modifications should be made to any part of this BBQ and repairs and maintenance should only be carried out by a registered Gas Safe service engineer.

CONNECTING THE GAS BOTTLE TO THE APPLIANCE

- Before connecting the gas supply, ensure that there is no debris caught in the head of the gas cylinder, regulator, burner or burner parts. Spiders and insects can nest within and clog the burner/ venturi tube at the orifice. A clogged burner can lead to a fire beneath the appliance.
- Clean the burner holes with a heavy-duty pipe cleaner.
- Fit the hose to the appliance, ensuring that the screw fitting has been fully tightened using a spanner. If the hose is replaced, it must be secured to the appliance and regulator using hose clips.
- Disconnect the regulator from the cylinder (according to the directions indicated on regulator) when the BBQ is not in use.
- The BBQ must be used in a well-ventilated area. Do not use indoors or in a garage.
- **ONLY USE THIS BBQ OUTDOORS.**

CHECKING FOR LEAKS

BEFORE USE CHECK FOR LEAKS


Never check for leaks with a naked flame, always use a soapy water solution

- Make 50 – 75ml of leak detecting solution by mixing $\frac{1}{4}$ washing up liquid with $\frac{3}{4}$ water.
- Ensure the control dials on the BBQ are set to the OFF position.
- Connect the regulator to the cylinder, ensuring that all the connections are secure before turning ON the gas.
- Brush the soapy solution onto the hose and all joints. If bubbles appear you have a leak, which must be rectified before use.
- Turn OFF the gas at the cylinder after testing.
- If a leak was detected, retest the BBQ for leaks after taking the appropriate action to resolve the leak.
- If leakage is detected and cannot be rectified, do not attempt to repair the leakage but consult a suitably qualified technician.

LIGHTING INSTRUCTIONS


If any burner fails to ignite after a number of attempts, turn the control dial to the off position (clockwise) and also turn the cylinder valve off. Wait for five minutes before attempting to light the BBQ again.

MAIN BURNERS

1. Open the lid and make sure that all burners are in the OFF position.
2. Connect the regulator to the gas bottle. Turn the gas supply to "ON" position on the regulator. Use soapy water to check if there is any gas leakage between the gas bottle and the regulator.
3. Push down the control dial and turn it anti-clockwise to the  position, this will light the burner.
4. If the burner fails to ignite, turn the control dial to the off position (clockwise) and also turn the cylinder valve off. Wait 5 minutes and repeat step 3.
5. Adjust the heat by turning the control dial between the High/Low markings on the control panel.
6. To turn OFF the BBQ, turn the control dial clockwise to the "OFF" position and then turn the cylinder valve or regulator switch to the "OFF" position, before disconnecting the gas bottle.

Before cooking for the first time, operate the BBQ for around 15 minutes with the lid closed and the gas turned to HIGH. This will 'heat clean' the internal parts and dissipate odour from the painted finish.

SIDE BURNER

1. Push down the control dial and turn it anti-clockwise to the  position to light the burner
2. If the burner is not lit within 5 seconds, turn the dial to the OFF position, and repeat step 1.
3. To turn OFF the BBQ, turn the control dial clockwise to the "OFF" position and then turn the cylinder valve or regulator switch to the "OFF" position, before disconnecting the gas bottle

Note: The loose connection between side burner and valve is designed to allow air into the gas mix to ensure the fuel is burned efficiently, and is not a fault with the unit.

SAFELY USING YOUR BBQ

FLARE-UP CONTROL

Flare-ups can occur during barbequing, and is caused by fat and juices falling onto a hot surface. Avoid excessive flare-ups to prevent food from being burnt. The flame tamers are designed to help limit the amount of flare ups, but these must be kept in good condition and free of grease to be effective.

To control flare ups, excess fat must be trimmed from meat and poultry before cooking, try to avoid very cheap meat products as these tend to have a high fat and water content. Only use cooking sauces and marinades sparingly.

If a flare up occurs, move food away from the flare up if it is safe to do so. Baking soda or salt can be used to extinguish it. Always protect your hands when handling anything near the cooking surface of the BBQ and take care to protect yourself from the flames.

FAT FIRES

Empty and clean the BBQ of food debris following each use. If the BBQ is to be used for a large gathering, it may be necessary to turn off and cool the BBQ every two hours to remove food debris and grease from the drip tray and drip pan. The maximum cooking time between cleans is dependent on both the amount of food been cooked and their fat content. When cooking large quantities of food with a high fat content, the BBQ will require more regular cleaning. Failure to keep the fat under control may result in a fat fire, which is dangerous if it spreads to the gas hose. Fat fires may cause injury and seriously damage the BBQ. This would not be covered under the warranty.

In the event of a fat fire:

- If safe to do so, turn all the controls to the 'off' position.
- Turn off the gas supply on the regulator.
- Keep everyone a safe distance away from the BBQ and wait until the fire has burnt out.
- Do not close the BBQ lid.
- never douse a BBQ with water. if an extinguisher is used, it should be a powder type.
- do not attempt to remove the fat until the BBQ has cooled.
- If the fire does not seem to be abating or appears to be worsening, contact the Fire Brigade for assistance.

CLEANING AND CARE

All cleaning and maintenance should be carried out when the BBQ is cool and the fuel supply is turned OFF with the gas cylinder disconnected.

OUTSIDE SURFACE

- Use mild detergent or baking soda and hot water solution. Non-abrasive scouring powder can be used on stubborn stains, then rinse with water.
- If the inside surface of the lid has the appearance of peeling paint, baked on grease build-up has turned to carbon and is flaking off. Clean thoroughly with strong, hot soapy water solution. Rinse with water and allow to completely dry.
NEVER USE OVEN CLEANER.

INTERIOR OF BBQ

Burning off the BBQ after every use (for approx. 15 minutes) will keep excessive food residue to a minimum. Remove residue using a brush, scraper and/or cleaning pad, then wash with soapy water solution. Rinse with water and allow to dry.

COOKING GRID

Use a mild soapy water solution and rinse with water. Non-abrasive scouring powder can be used on stubborn stain.

CLEANING THE BURNERS



- Turn the gas OFF at the control dial and disconnect the gas cylinder.
- Remove the cooking grid and cooking tray.
- Clean the burner with a soft brush or blow clean with compressed air and wipe with a cloth.
- Clean any clogged parts with a pipe cleaner or stiff wire (such as an opened paper clip).
- Inspect the burner for any damage (cracks or holes). If damage is found, replace the burner.
- When re-installing the burner, check to ensure that the gas valve orifices are correctly positioned and secured inside the burner inlet (venturi).

STORAGE OF THE APPLIANCE

The appliance must only be stored indoors when it has been disconnected and the cylinder has been removed. When the appliance is not in use for a period of time it should be carefully packed for storage and stored in a dry, dust free environment.

A cover is available to buy separately from your Monster Grill stockist, order code BBQCK2.

TECHNICAL INFORMATION

 MGKITSS6FR		 0063-21		
Buy It Direct Limited Unit J6, Lowfields Way, Elland, West Yorkshire, HX5 9DA The Black Church, St. Mary's Place, Dublin 7		MODEL NUMBER:	SR-G611A-XL	
PRODUCT NAME:	6 Burner Gas Kitchen with Fridge and Sink			
TOTAL HEAT INPUT: (Butane / Propane)	Butane :23.4kW (1703.5 g/h) (3.9kW x 6) Propane: 23.4kW (1670.8g/h) (3.9kW x 6)			
GAS CATEGORY:	<input checked="" type="checkbox"/> I ₃₊ (28-30/37)	<input type="checkbox"/> I _{3B/P} (30)	<input type="checkbox"/> I _{3P} (37)	<input type="checkbox"/> I _{3P} (50)
TYPES OF GAS:	Butane at 28-30 mbar and Propane at 37 mbar	Butane / Propane mixture at 30 mbar	Propane at 37 mbar	Propane at 50 mbar
MAIN BURNER INJECTOR SIZE:	0.93mm	0.93mm	0.93mm	0.82mm
FOR USE OUTDOORS AND IN WELL VENTILATED AREAS				
WARNING: 1) ACCESSIBLE PARTS MAY BE VERY HOT. KEEP YOUNG CHILDREN AWAY 2) DO NOT MOVE THE APPLIANCE DURING USE 3) TURN OFF THE GAS SUPPLY AT THE GAS CYLINDER AFTER USE 4) DO NOT MODIFY THE APPLIANCE 5) THIS APPLIANCE MUST BE KEPT AWAY FROM FLAMMABLE MATERIALS DURING USE.				
READ THE INSTRUCTIONS CAREFULLY BEFORE USE.				
Made in China				

TROUBLESHOOTING

PROBLEM	POSSIBLE CAUSE	SOLUTION
Burners will not light using the ignition system	1. LP gas cylinder is empty 2. Faulty regulator 3. Obstruction in burner 4. Obstructions in gas jets or gas hose 5. electrode wire loose or disconnected on electrode or ignition unit 6. Electrode or wire is damaged, faulty pushbutton igniter	1. Replace with full cylinder 2. Have regulator checked or replace 3. Clean burner 4. Clean jets and gas hose 5. Reconnect wire 6. Change electrode and wire, change igniter
Burner will not light with a match	1. LP gas cylinder is empty 2. Faulty regulator 3. Obstructions in burner 4. Obstructions in gas jets or gas hose	1. Replace with full cylinder 2. Have regulator checked or replace 3. Clean burner 4. Clean jets and gas hose
Low flame or flashback (fire in burner tube-a hissing or roaring noise may be heard)	1. LP gas cylinder too small 2. Obstructions in burner 3. Obstructions in gas jets or gas hose 4. Windy conditions	1. Use larger cylinder 2. Clean burner 3. Clean jets and gas hose 4. Use BBQ in a more sheltered position

MANUFACTURER SUPPORT

0333 305 2261

Office hours: 9AM - 5PM Monday to Friday

Monster grill

Unit J6, Lowfields Business Park
Lowfields Way, Elland
West Yorkshire, HX5 9DA